

## Product data sheet



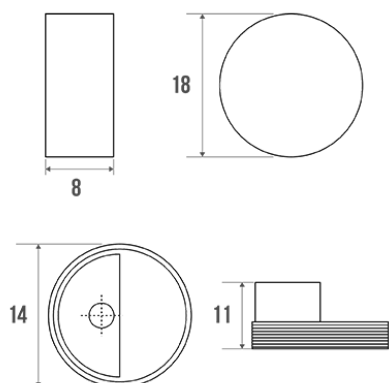
### Information

Designation	Mirror brackets, 8 x 11 x 14 mm, Chrome and nickel-plated Brass, Ø 18 mm
Reference	007124

### Description

Round-shaped brackets.  
For glass panels or mirrors 4 - 7 mm thick.  
Metal flange.  
Pack of 4 pieces.

Wall fixings not included.



### Technical characteristics

Finish	Chrome and nickel-plated
Diameter Ø	18 mm
Material	Brass
Gross weight	0.050 kg
Packaging	Plastic protection bag + Hanger for display
Made in France	yes
Maintenance	yes
Guarantee	5 years
Gencod	3563390071243
Custom code	7418200090
Technical sheet	No technical sheet available

### Fixing and maintenance advices

Careful consideration and selection of the appropriate wall fixings according to the wall-mounted support is required to ensure the long life of your accessory. The use of stainless steel screws (Ø 4 mm) is highly recommended to prevent corrosion in damp environment. Before drilling, physically hold the product against the wall at desired position and mark the hole locations. All the fixing points must be respected. After installation and before use, make sure that all fixing screws are tightened securely.



Fiche produit mise à jour le : 07/05/2024