

## Product data sheet



### Information

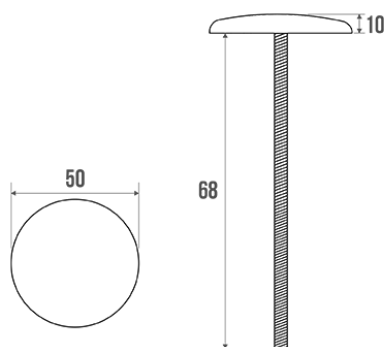


Designation Tap hole cover, 78 mm, Chrome-plated Zamak, Ø 50 mm  
Reference 007161

### Description

With sealing washer.  
Thickness: 10 mm.  
Perfectly suited for use in Institutions.

Wall fixings not included.



### Technical characteristics

Finish	Chrome-plated
Dimensions	78 mm
Diameter Ø	50 mm
Material	Zamak
Gross weight	0.090 kg
Packaging	Plastic protection bag + Hanger for display
Made in France	yes
Maintenance	yes
Guarantee	5 years
Gencod	3563390071618
Custom code	7901200000
Technical sheet	No technical sheet available

### Fixing and maintenance advices

Careful consideration and selection of the appropriate wall fixings according to the wall-mounted support is required to ensure the long life of your accessory. The use of stainless steel screws (Ø 4 mm) is highly recommended to prevent corrosion in damp environment. Before drilling, physically hold the product against the wall at desired position and mark the hole locations. All the fixing points must be respected. After installation and before use, make sure that all fixing screws are tightened securely.



Fiche produit mise à jour le : 07/05/2024