

Product data sheet



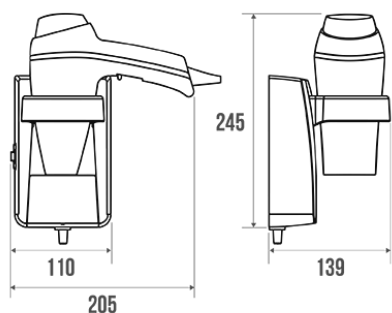
Information

Designation	1400 W Hair dryer
Reference	878113

Product advantages

- + **Compact & easy-to-use.**
- + **Simple operation.**

Description



Sensory switch.
6 drying configurations. 3 temperatures including 1 cold.
Rated voltage: 230 V - 50-60 Hz
70 et 95 m³/h output
Classification: IP21 - Electrical insulation: "Class II"
Rated power: 1400 W
Sound level: 70/77 dBA
Electric shaver with dual voltage 115/230 V
Perfectly suitable for use in the hospitality industry.

Technical characteristics

Color	White
Dimensions	205 x 245 x 139 mm
Material	ABS
Gross weight	0.900 kg
Packaging	Monochrome box
Made in France	yes
Maintenance	yes
Guarantee	2 years
Gencod	3563398781137
Custom code	3922900000
Technical sheet	No technical sheet available

Fixing and maintenance advices

Careful consideration and selection of the appropriate wall fixings according to the wall-mounted support is required to ensure the long life of your accessory. The use of stainless steel screws (\varnothing 4 mm) is highly recommended to prevent corrosion in damp environment. Before drilling, physically hold the product against the wall at desired position and mark the hole locations. All the fixing points must be respected. After installation and before use, make sure that all fixing screws are tightened securely.

Fiche produit mise à jour le : 10/01/2024