

Product data sheet



Arsis
EVOLUTION



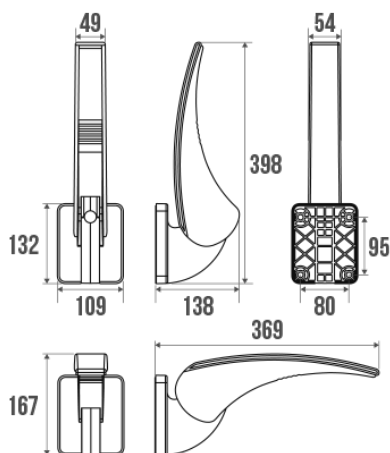
Information

Designation Hinged armrest, white
Reference 047710

Product advantages

- + Offers more comfort and stability while seated in the shower.
- + Upgradeable product !

Description



Hinged armrest in white polymer. Fixed or removable.

Technical characteristics

Color	White
Material	Polymer
Gross weight	0.651 kg
Packaging	Cardboard box + Label
Maximum Weight Capacity	80
Laboratory tests	120 kg
Made in France	yes
Maintenance	yes
Guarantee	10 years
Gencod	3563390477106
Custom code	3922900000
Technical sheet	A04772000_IND_02

Spécificité

- 1 - For an upgradeable solution using a rail of 100 mm, 500 mm or 600 mm: it's possible to make the armrest removable using plate adaptor ref. 044710.
- 2 - For a pre-defined combination (seat + armrest): the armrest should be fitted using the "click & fit" plate kit (rail + plate adaptor + cover) ref. 044110.

Fixing and maintenance advices

Please refer to the instructions.

Fiche produit mise à jour le : 10/01/2024