

Product data sheet



Information

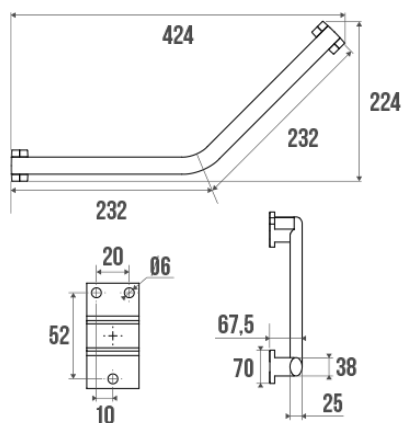
Designation	ARSIS 135° angled grab bar, 200 x 200 mm, Bright Anodized Aluminium
Reference	049632

Product advantages

- + Elliptic tube for an improved grip.
- + Possible to fit it "to the right" or "to the left".
- + Elegant and design shape.
- + Corrosion resistant warranty.



Description



2 fixing points.
Symmetrical, 200 x 200 mm.
Elliptical tube in bright anodized aluminium 38 x 25 mm.
Chrome-plated resin flanges.

Wall fixings included.
Design coordinated with all ARSIS items.
Perfectly suitable for use in the hospitality industry.

Technical characteristics

Finish	Anodized
Dimensions	200 x 200 mm
Diameter Ø	38 x 25 mm
Material	Aluminum
Gross weight	0.540 kg
Packaging	Plastic protection bag + Hanger for display
CE Marking : safe load	150 kg
Laboratory tests	225 kg

Made in France	yes
Maintenance	yes
Guarantee	10 years
Net weight	0.445 kg
Gencod	3563390496329
Custom code	7615200000
Technical sheet	A04984002_IND_11
Spare parts	Réf. 049006 : Cache-fixation chromé, Réf. 049007 : Support de fixation alu chromé

Fixing and maintenance advices

Recommended height for the horizontal part : 800 mm from the ground. Grab bars provide support and added safety if properly fitted in accordance with our technical instructions. Careful consideration and selection of the appropriate wall fixings according to the wall-mounted support is required to ensure the long life of your accessory. The use of stainless steel screws (Ø 4 mm) is highly recommended to prevent corrosion in damp environment. Before drilling, physically hold the product against the wall at desired position and mark the hole locations. All the fixing points must be respected. After installation and before use, make sure that all fixing screws are tightened securely. **DO NOT** use the grab bar as a step. **DO NOT** sit on or hang from the grab bar.

Fiche produit mise à jour le : 07/05/2024