

Product data sheet



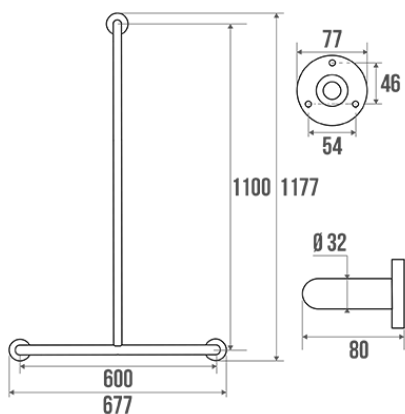
Information

Designation	T-shaped bar with sliding bracket for shower handset, bright polished stainless steel, Ø 32 mm
Reference	000110

Product advantages

- + **Concealed fixings**

Description



Bright polished 304 stainless steel tube Ø 32 mm.
Bright polished stainless steel cover plates and flanges.
Bright polished stainless steel sliding bracket.
Wall fixings included.
Incompatible in chlorinated environment.

Technical characteristics

Finish	Bright polished
Dimensions	1100 x 600 mm
Material	Stainless steel
Gross weight	2.000 kg
Packaging	Plastic protection bag
Maximum Weight Capacity	150 kg
Laboratory tests	225 kg
Maintenance	yes
Guarantee	5 years
Net weight	2.000 kg
Gencod	3563390001103
Custom code	7324900010
Technical sheet	No technical sheet available

Fixing and maintenance advices

Recommended height for the horizontal part : 800 mm from the ground. Grab bars provide support and added safety if properly fitted in accordance with our technical instructions. Careful consideration and selection of the appropriate wall fixings according to the wall-mounted support is required to ensure the long life of your accessory. The use of stainless steel screws (\varnothing 4 mm) is highly recommended to prevent corrosion in damp environment. Before drilling, physically hold the product against the wall at desired position and mark the hole locations. All the fixing points must be respected. After installation and before use, make sure that all fixing screws are tightened securely. **DO NOT** use the grab bar as a step. **DO NOT** sit on or hang from the grab bar.

Fiche produit mise à jour le : 07/05/2024