

Product data sheet



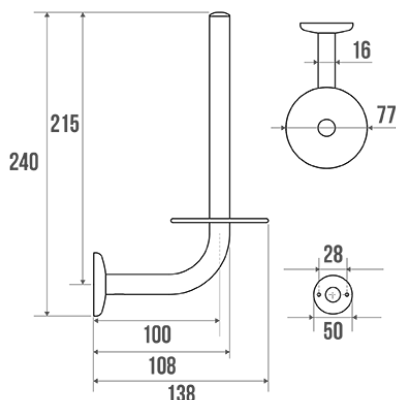
Information

Designation	LOFT - Toilet paper reserve, Chrome and nickel-plated Brass
Reference	010164

Product advantages

+ **Corrosion resistant warranty.**

Description



Chrome and nickel-plated brass tube.
Polyamide flanges and chrome-plated brass cover plates.
Concealed fixings.

Wall fixings included.

Technical characteristics

Finish	Chrome and nickel-plated
Dimensions	138 x 77 x 240 mm
Diameter Ø	16 mm
Capacity	1 or 2 rolls
Material	Brass
Gross weight	0.240 kg
Packaging	Plastic protection bag + Hanger for display
Made in France	yes
Maintenance	yes
Guarantee	5 years
Gencod	3563390101646
Custom code	7418200090
Technical sheet	A01011000_IND_06

Fixing and maintenance advices

Careful consideration and selection of the appropriate wall fixings according to the wall-mounted support is required to ensure the long life of your accessory. The use of stainless steel screws (\varnothing 4 mm) is highly recommended to prevent corrosion in damp environment. Before drilling, physically hold the product against the wall at desired position and mark the hole locations. All the fixing points must be respected. After installation and before use, make sure that all fixing screws are tightened securely.

Fiche produit mise à jour le : 07/05/2024