

## Product data sheet



### Information

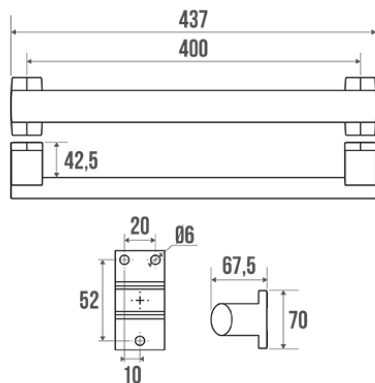
|             |  |
|-------------|--|
| Designation | Arsis Fantasy straight grab bar 400 mm, Graffiti and anthracite aluminium cover plates |
| Reference   | 049443   |



### Product advantages

- + Elliptic tube for an improved grip.
- + Personalized finish.
- + Anticorrosion warranty.

### Description



Elliptical tube in anthracite grey epoxy-coated aluminium, 38 x 25 mm with graffiti effect finish.

Anthracite grey synthetic resin cover plates.  
Perfectly coordinated with the Arsis Fantasy shower seat ref. 047743.

Wall fixings included.  
Design coordinated with the Arsis Fantasy shower seat.  
Perfectly suitable for use in the hotel industry.

### Technical characteristics

|                        |   |
|------------------------|---|
| Finish                 | Epoxy-coated                                |
| Color                  | Anthracite grey & Graffiti                  |
| Dimensions             | 400 mm                                      |
| Diameter Ø             | 38 x 25 mm                                  |
| Material               | Aluminum                                    |
| Gross weight           | 0.500 kg                                    |
| Packaging              | Plastic protection bag + Hanger for display |
| CE Marking : safe load | 150 kg                                      |
| Laboratory tests       | 225 kg                                      |
| Made in France         | yes   |

|                 |  |
|-----------------|--|
| Maintenance     | yes  |
| Guarantee       | 10 years   |
| Net weight      | 0.445 kg   |
| Gencod          | 3563390494431                                      |
| Custom code     | 7615200000   |
| Technical sheet | <a href="#">A04984002_IND_08</a>                   |
| Spare parts     | Ref. 049007 : Chrome-plated aluminium wall bracket |

## Fixing and maintenance advices

---

Recommended height for the horizontal part : 800 mm from the ground. Grab bars provide support and added safety if properly fitted in accordance with our technical instructions. Careful consideration and selection of the appropriate wall fixings according to the wall-mounted support is required to ensure the long life of your accessory. The use of stainless steel screws ( $\varnothing$  4 mm) is highly recommended to prevent corrosion in damp environment. Before drilling, physically hold the product against the wall at desired position and mark the hole locations. All the fixing points must be respected. After installation and before use, make sure that all fixing screws are tightened securely. **DO NOT** use the grab bar as a step. **DO NOT** sit on or hang from the grab bar.

Fiche produit mise à jour le : 22/03/2022