

Product data sheet



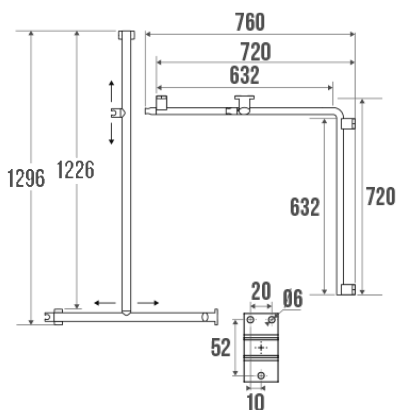
Information

Designation	Arsis Two-walls corner shower bar, Anthracite grey Epoxy-coated Aluminium
Reference	049725

Product advantages

- + Elliptic tube for an improved grip.
- + Adjustable: convertible into a T or L shape, for all configurations.
- + With 2 brackets for shower handset : sliding and fixed rotating.
- + Make stepping into or out of the shower easier.

Description



Elliptical tube in anthracite grey epoxy-coated aluminium, 38 x 25 mm.
Anthracite grey synthetic resin cover plates.

Reversible : 3rd point to be fitted for right or left version.

Adjustable: convertible into T or L shape at assembly stage. Once settled, the positioning remains fixed.

1 slider bracket on the vertical bar to ease the catch in hand of the shower handset. 1 fixed and rotating bracket on the horizontal bar to enable people while sitting to have a shower without any difficulty.

Concealed fixing.
Anticorrosion warranty.
Delivered dismantled.

Wall fixings included.
Design coordinated with the items of the Arsis Comfort range.
Perfectly suitable for use in the hotel industry.

Technical characteristics

Finish	Epoxy-coated
Color	Anthracite grey
Dimensions	1296 x 720 x 720 mm
Diameter Ø	38 x 25 mm
Material	Aluminum
Gross weight	2.600 kg
Packaging	Cardboard box
CE Marking : safe load	150 kg
Laboratory tests	225 kg

Made in France	yes
Maintenance	yes
Guarantee	10 years
Gencod	3563390497258
Custom code	7615200000
Technical sheet	A04982007_IND_10
Spare parts	Ref. 049007 : Chrome-plated aluminium wall bracket, Ref. 049008 : White cover plates

Fixing and maintenance advices

Recommended height for the horizontal part : 800 mm from the ground. Grab bars provide support and added safety if properly fitted in accordance with our technical instructions. Careful consideration and selection of the appropriate wall fixings according to the wall-mounted support is required to ensure the long life of your accessory. The use of stainless steel screws (\varnothing 4 mm) is highly recommended to prevent corrosion in damp environment. Before drilling, physically hold the product against the wall at desired position and mark the hole locations. All the fixing points must be respected. After installation and before use, make sure that all fixing screws are tightened securely. **DO NOT** use the grab bar as a step. **DO NOT** sit on or hang from the grab bar.

Fiche produit mise à jour le : 07/05/2024