

Product data sheet



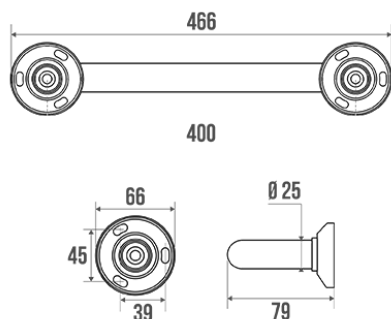
Information

Designation	Straight grab bar, 400 mm, Chrome-plated Brass, tube Ø 25 mm, concealed fixings
Reference	010204

Product advantages

- + Concealed fixings.
- + Anticorrosion warranty.

Description



Chrome and nickel-plated brass tube Ø 25 mm.
Fixings and cover plates in bright chrome-plated synthetic resin.

Wall fixings included.

Technical characteristics

Finish	Chrome and nickel-plated
Dimensions	400 mm
Diameter Ø	25 mm
Material	Brass
Gross weight	0.532 kg
Packaging	Plastic protection bag + Hanger for display
Maximum Weight Capacity	150 kg
Laboratory tests	225 kg
Made in France	yes
Maintenance	yes
Guarantee	10 years
Gencod	3563390102046

Custom code	7418200090
Technical sheet	A01020305_IND_09
Spare parts	Ref. 043540 : Cover plates.

Fixing and maintenance advices

Recommended height for the horizontal part : 800 mm from the ground. Grab bars provide support and added safety if properly fitted in accordance with our technical instructions. Careful consideration and selection of the appropriate wall fixings according to the wall-mounted support is required to ensure the long life of your accessory. The use of stainless steel screws (\varnothing 4 mm) is highly recommended to prevent corrosion in damp environment. Before drilling, physically hold the product against the wall at desired position and mark the hole locations. All the fixing points must be respected. After installation and before use, make sure that all fixing screws are tightened securely. DO NOT use the grab bar as a step. DO NOT sit on or hang from the grab bar.

Fiche produit mise à jour le : 07/05/2024