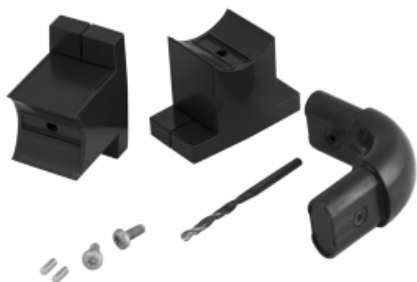


Product data sheet

Information

Designation Two walls 90° angled link support with wall brackets
Reference 041720

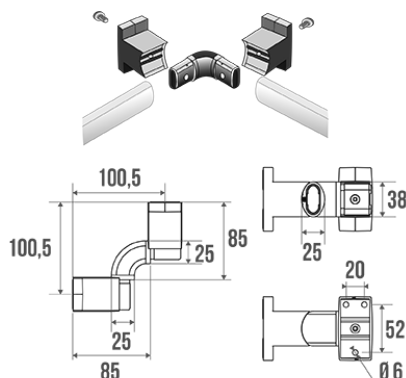


Product advantages

+ **Easy assembly.**

Description

Multi-components : Polymer link pieces.
For assembly with Arsis straight sections.
Adapted to customized layouts.



Technical characteristics

Finish	Epoxy-coated
Dimensions	119.5 x 70 x 119.5 mm
Diameter Ø	38 x 25 mm
Material	Aluminum
Made in France	yes
Maintenance	yes
Guarantee	10 years
Net weight	0.220 kg
Gencod	3563390417201
Custom code	7615200000
Technical sheet	A04170000_IND_00

Fixing and maintenance advices

Fits into a straight section. Careful consideration and selection of the appropriate wall fixings according to the wall-mounted support is required to ensure the long life of your accessory. The use of stainless steel screws (Ø 4 mm) is highly recommended to prevent corrosion in damp environment. Before drilling, physically hold the product against the wall at desired position and mark the hole locations. All the fixing points must be respected. After installation and before use, make sure that all fixing screws are tightened securely.

Fiche produit mise à jour le : 07/05/2024