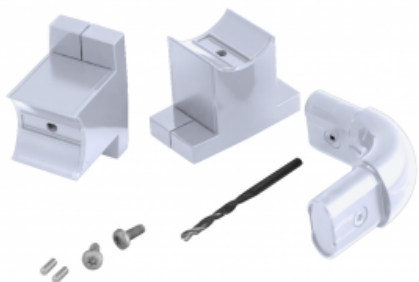


## Product data sheet

### Information

Designation Two walls 90° angled link support with wall brackets  
Reference 041820

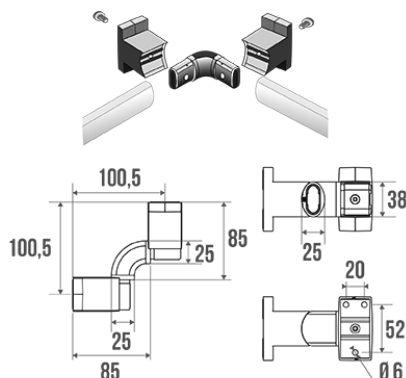


### Product advantages

+ **Easy assembly.**

### Description

Multi-components : Polymer link pieces.  
For assembly with Arsis straight sections.  
Adapted to customized layouts.



### Technical characteristics

|                 |                                  |
|-----------------|----------------------------------|
| Finish          | Epoxy-coated                     |
| Color           | White                            |
| Dimensions      | 119.5 x 70 x 119.5 mm            |
| Diameter Ø      | 38 x 25 mm                       |
| Material        | Aluminum                         |
| Made in France  | yes                              |
| Maintenance     | yes                              |
| Guarantee       | 10 years                         |
| Net weight      | 0.220 kg                         |
| Gencod          | 3563390418208                    |
| Custom code     | 7615200000                       |
| Technical sheet | <a href="#">A04170000_IND_00</a> |

## Fixing and maintenance advices

---

Fits into a straight section. Careful consideration and selection of the appropriate wall fixings according to the wall-mounted support is required to ensure the long life of your accessory. The use of stainless steel screws (Ø 4 mm) is highly recommended to prevent corrosion in damp environment. Before drilling, physically hold the product against the wall at desired position and mark the hole locations. All the fixing points must be respected. After installation and before use, make sure that all fixing screws are tightened securely.

Fiche produit mise à jour le : 07/05/2024