

## Product data sheet



### Information

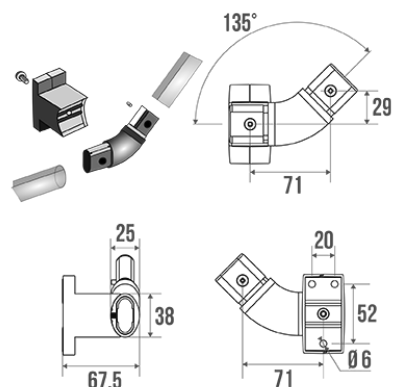
Designation 135° angled link support with wall bracket  
Reference 041730

### Product advantages

+ Easy assembly.



### Description



Multi-components : Polymer link pieces.  
For assembly with Arsis straight sections.  
Adapted to customized layouts.

### Technical characteristics

Finish	Epoxy-coated
Dimensions	113 x 88 x 67.5 mm
Diameter Ø	38 x 25 mm
Material	Aluminum
Made in France	yes
Maintenance	yes
Guarantee	10 years
Net weight	0.130 kg
Gencod	3563390417300
Custom code	7615200000
Technical sheet	<a href="#">A04170000_IND_00</a>

### Fixing and maintenance advices

Fits into a straight section. Careful consideration and selection of the appropriate wall fixings according to the wall-mounted support is required to ensure the long life of your accessory. The use of stainless steel screws (Ø 4 mm) is highly recommended to prevent corrosion in damp environment. Before drilling, physically hold the product against the wall at desired position and mark the hole locations. All the fixing points must be respected. After installation and before use, make sure that all fixing screws are tightened securely.

Fiche produit mise à jour le : 07/05/2024