

Product data sheet



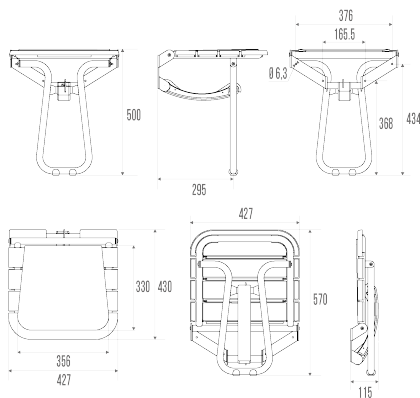
Information

Designation	ERGONOMIC fixed shower seat
Reference	047830

Product advantages

- + **Comfortable:** large seat with curved slats and smooth cushion.
- + **Maximum comfort:** with backrest and armrests.
- + **Ideal for each place** space saving when folded.
- + **Optimum hygiene:** removable smooth cushion.

Description



Foldaway seat with stand.
White epoxy-coated aluminium tube, Ø 25 mm.
Large size ergonomic seat, 4 curved slats in white polypropylene. Cushions in grey polyurethane like RAL 7012.
Standardized height: 500 mm.
Enables users to sit down safely and comfortably while showering.

Technical characteristics

Finish	Epoxy-coated
Dimensions	427 x 500 x 430 mm
Diameter Ø	25 mm
Material	Aluminum
Gross weight	3.750 kg
Packaging	Cardboard box + Label
CE Marking : safe load	150 kg
Laboratory tests	225 kg
Made in France	yes
Maintenance	yes

Guarantee	10 years
Net weight	3.000 kg
Gencod	3563390478301
Custom code	7615200000
Technical sheet	S00002132_IND_03

Fixing and maintenance advices

Careful consideration and selection of the appropriate wall fixings according to the wall-mounted support is required to ensure the long life of your accessory. The use of stainless steel screws (\varnothing 4 mm) is highly recommended to prevent corrosion in damp environment. Before drilling, physically hold the product against the wall at desired position and mark the hole locations. All the fixing points must be respected. After installation and before use, make sure that all fixing screws are tightened securely. The shower seat provides support and added safety if properly fitted in accordance with our technical instructions. For use in seated position. To guarantee the user safety, **DO NOT** rise up on the seat. When the seat is raised, **DO NOT** use it as a grab bar. To avoid any risks of pinching out, **DO NOT** put your fingers in the mobile parts. The product does not contains any dangerous substance for the health. We disclaim all liability for any personal injury resulting from inappropriate installation or use of this seat.

Fiche produit mise à jour le : 07/05/2024