

Product data sheet



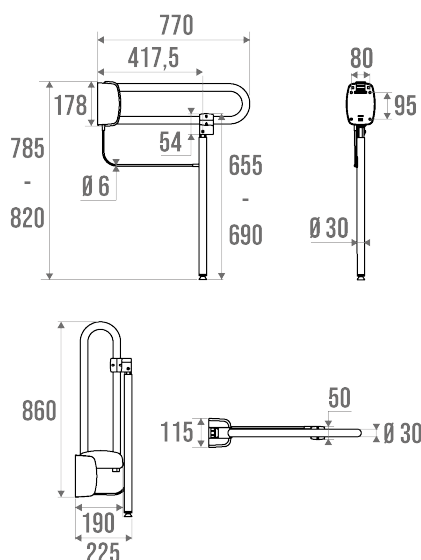
Information

Designation Hinged bar with integrated support prop - 770 mm
Reference 048879

Product advantages

- + Raised position locking.
- + Reinforced aluminium tube.
- + Help to get up and stand.
- + Support prop with adjustable height.

Description



White epoxy-coated aluminium tube \varnothing 30 mm. Synthetic resin flange.
With integrated support prop, adjustable height with a system of jack.
Concealed fixings.
Corrosion-resistant warranty.

Technical characteristics

Finish	Epoxy-coated
Color	White
Dimensions	770 mm
Diameter \varnothing	30 mm
Material	Aluminum

Gross weight	3.100 kg
Packaging	Cardboard box + Label
Maximum Weight Capacity	120
Laboratory tests	225 kg
Made in France	yes
Maintenance	yes
Guarantee	10 years
Net weight	2.150 kg
Gencod	3563390488799
Custom code	7615200000
Technical sheet	S00002226_IND_01

Fixing and maintenance advices

Recommended height for the horizontal part : 800 mm from the ground. Grab bars provide support and added safety if properly fitted in accordance with our technical instructions. Careful consideration and selection of the appropriate wall fixings according to the wall-mounted support is required to ensure the long life of your accessory. The use of stainless steel screws (\varnothing 4 mm) is highly recommended to prevent corrosion in damp environment. Before drilling, physically hold the product against the wall at desired position and mark the hole locations. All the fixing points must be respected. After installation and before use, make sure that all fixing screws are tightened securely. DO NOT use the grab bar as a step. DO NOT sit on or hang from the grab bar.

Fiche produit mise à jour le : 07/05/2024