

Product data sheet



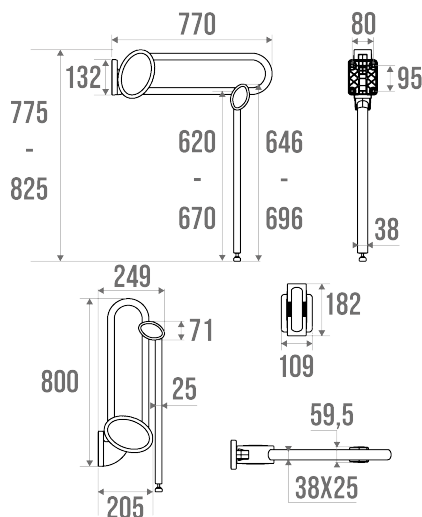
Information

Designation Hinged bar with integrated support prop - 770 mm
Reference 048781

Product advantages

- + Elliptic tube for an improved grip.
- + Soft close system.
- + Help to get up and stand.
- + Safe: support prop with automatic lock in support position.

Description



Elliptical tube 38 x 25 mm in anthracite grey epoxy-coated aluminium.
Wall flange, cover plate, joint in anthracite grey synthetic resin. Chrome-plated side plates.
With integrated support prop, adjustable height.
Removable: add the "click and fit" plate kit, ref 044110.
Wall fixings included. Concealed fixings.
Design coordinated with all ARSIS Comfort items.
Perfectly suitable for use in the hospitality industry.

Technical characteristics

Finish	Epoxy-coated
Dimensions	770 mm
Diameter Ø	38 x 25 mm
Material	Aluminum
Gross weight	3.600 kg
Packaging	Cardboard box + Label

Maximum Weight Capacity	120
Laboratory tests	225 kg
Made in France	yes
Maintenance	yes
Guarantee	10 years
Net weight	3.000 kg
Gencod	3563390487815
Custom code	7615200000
Technical sheet	A04866100_IND_02

Fixing and maintenance advices

Recommended height for the horizontal part : 800 mm from the ground. Grab bars provide support and added safety if properly fitted in accordance with our technical instructions. Careful consideration and selection of the appropriate wall fixings according to the wall-mounted support is required to ensure the long life of your accessory. The use of stainless steel screws (Ø 4 mm) is highly recommended to prevent corrosion in damp environment. Before drilling, physically hold the product against the wall at desired position and mark the hole locations. All the fixing points must be respected. After installation and before use, make sure that all fixing screws are tightened securely. DO NOT use the grab bar as a step. DO NOT sit on or hang from the grab bar.

Fiche produit mise à jour le : 07/05/2024