

Product data sheet



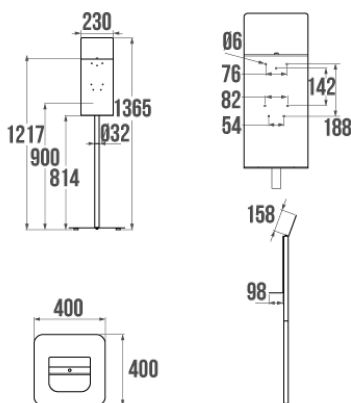
Information

Designation	Disinfection station with automatic liquid soap dispenser
Reference	878132

Product advantages

- + **Hygienic: automatic hand detection by infrared cell.**
- + **With drip collector.**
- + **Durable and stable support.**
- + **Visual impact: integrated «hygiene» POS advertising.**
- + **Lightweight: easy to carry.**

Description



DISINFECTION STATION

Base made up of 2 reinforced tubes \varnothing 32 mm, length 600 mm and steel base 400 x 400 mm. Black epoxy folded aluminium plate with communication area. Delivered disassembled.

AUTOMATIC LIQUID SOAP DISPENSER COMPATIBLE WITH HYDROALCOHOLIC GEL

White.
Container: 1100 ml.

Without switch nor control lever for a maximum of hygiene.
Dose of soap distributed by automatic detection of hands by cell infraRed. Output: 1 ml / measure. Deliver 1 dose every 3 seconds (10 consecutive doses maximum).
Economic: precise dosage of the output, avoids the risk of wasting. Fill level indicator. With key lock. Goes out automatically in the opening of the bonnet.

CAUTION: Incompatible with microbead hand soap. Accepts some hand sanitizers. Supplied with a 1 litre reservoir tank and suction tube. Power supply: 4x 1.5 V AA LR6 batteries (not included).
Complies with the HACCP food safety program.

Use of liquid soap PELLET ref. 870510 or hydroalcoholic gel PELLET ref. 870509
Perfectly suited for use in Institutions, medical offices, hospitals and all public places in general for intensive use.

Dispenser guarantee 1 year.

Technical characteristics

Finish Epoxy-coated

Color	Black
Dimensions	1365 x 230 x 400 mm
Diameter Ø	32 mm
Material	Aluminium & Steel
Gross weight	9.000 kg
Packaging	Cardboard box
Made in France	yes
Maintenance	yes
Guarantee	10 years
Net weight	8.500 kg
Gencod	3563398781328
Custom code	7615200000
Technical sheet	S00002284_IND_01

Fixing and maintenance advices

No particular recommendation for the fitting.

Fiche produit mise à jour le : 10/01/2024