

Product data sheet



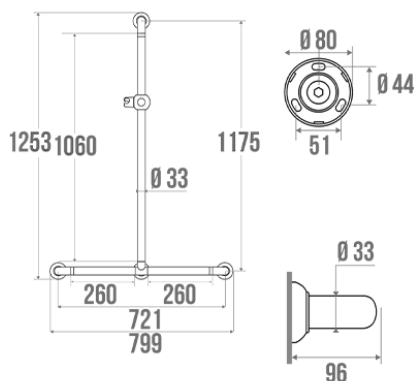
Information

Designation	T-shaped shower bar, White Polyalu
Reference	046630

Product advantages

- + Help to get up and stand.
- + With slider bracket shower handset.
- + Possible to fit it "to the right" or "to the left".
- + Concealed fixings.

Description



Composite material: White synthetic resin + aluminium profile. Tube \varnothing 33 mm.
With shower rail slider bracket.
White flange border and central body.
Concealed fixings.
Screws included
Delivered unassembled.

Technical characteristics

Color	White
Dimensions	1253 x 799 x 96 mm
Diameter \varnothing	33 mm
Material	Polyamide (Nylon)
Gross weight	2.800 kg
Packaging	Cardboard box
Maximum Weight Capacity	150 kg
Laboratory tests	225 kg
Made in France	yes

Maintenance	yes
Guarantee	10 years
Net weight	2.150 kg
Gencod	3563390466308
Custom code	7615200000
Technical sheet	S00001190_IND_08
Spare parts	Ref. 046100, Polyalu cover plate.##Ref. 046101, Bag of 3 stainless steel screws.##Ref. 046288, Flange, cover plate and fixings.

Fixing and maintenance advices

Recommended height for the horizontal part : 800 mm from the ground. Grab bars provide support and added safety if properly fitted in accordance with our technical instructions. Careful consideration and selection of the appropriate wall fixings according to the wall-mounted support is required to ensure the long life of your accessory. The use of stainless steel screws (\varnothing 4 mm) is highly recommended to prevent corrosion in damp environment. Before drilling, physically hold the product against the wall at desired position and mark the hole locations. All the fixing points must be respected. After installation and before use, make sure that all fixing screws are tightened securely. DO NOT use the grab bar as a step. DO NOT sit on or hang from the grab bar.

Fiche produit mise à jour le : 07/05/2024