

Product data sheet

Information

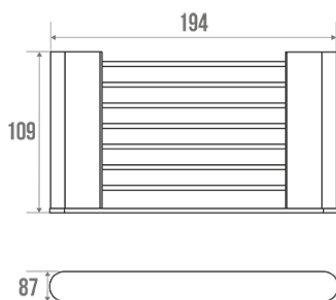
Designation PURE - Wall-mounted soap holder, Chrome-plated Brass
Reference 300115



Product advantages

+ **Smart and contemporary design.**

Description



Wall fixings included.

Technical characteristics

Finish	Chrome-plated
Dimensions	20 x 195 x 109 mm
Material	Brass
Gross weight	0.350 kg
Packaging	Box
Maintenance	yes
Guarantee	5 years
Gencod	3563393001155
Custom code	7418200090
Technical sheet	No technical sheet available

Fixing and maintenance advices

Careful consideration and selection of the appropriate wall fixings according to the wall-mounted support is required to ensure the long life of your accessory. The use of stainless steel screws (\varnothing 4 mm) is highly recommended to prevent corrosion in damp environment. Before drilling, physically hold the product against the wall at desired position and mark the hole locations. All the fixing points must be respected. After installation and before use, make sure that all fixing screws are tightened securely.

Fiche produit mise à jour le : 07/05/2024