

Product data sheet



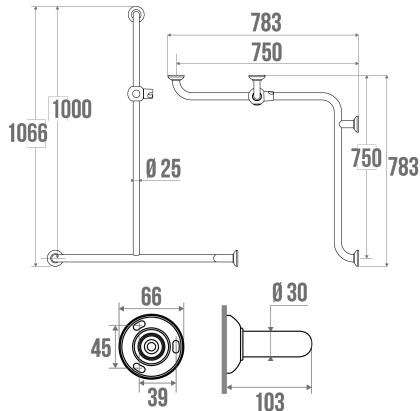
Information

Designation	2-walls corner antibacterial grab bar
Reference	490360

Product advantages

- + Reducing bacteria up to 99 %
- + Improving products hygiene.
- + Minimizing cross-contamination

Description



Antibacterial treatment reducing bacteria up to 99 %.
Concealed fixings.
White epoxy-coated aluminium tube \varnothing 30 mm.
White polymer flanges \varnothing 66 mm.
1000 mm shower bar. Horizontal \varnothing 30 mm bar with intermediary 3rd fixing point and vertical \varnothing 25 mm bar.
3 concealed fixing points.
Screws included.
Supplied dismantled.
Perfectly suitable with the Durofort antibacterial accessories.

Technical characteristics

Finish	Epoxy-coated
Color	White
Dimensions	750 x 750 x 1000 mm
Diameter \varnothing	30 mm
Material	Aluminum
Gross weight	1.950 kg
Maximum Weight Capacity	150 kg
Laboratory tests	225 kg
Made in France	yes
Maintenance	yes
Guarantee	10 years

Net weight	1.800 kg
Gencod	3563394903601
Custom code	7615200000
Technical sheet	No technical sheet available

Fixing and maintenance advices

Recommended height for the horizontal part : 800 mm from the ground. Grab bars provide support and added safety if properly fitted in accordance with our technical instructions. Careful consideration and selection of the appropriate wall fixings according to the wall-mounted support is required to ensure the long life of your accessory. The use of stainless steel screws (\varnothing 4 mm) is highly recommended to prevent corrosion in damp environment. Before drilling, physically hold the product against the wall at desired position and mark the hole locations. All the fixing points must be respected. After installation and before use, make sure that all fixing screws are tightened securely. **DO NOT** use the grab bar as a step. **DO NOT** sit on or hang from the grab bar.

Fiche produit mise à jour le : 07/05/2024