

Product data sheet



Information

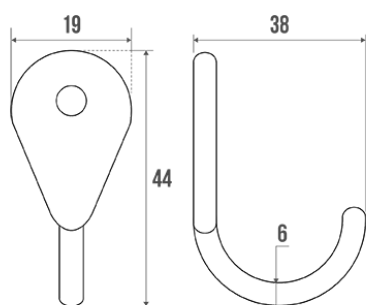


Designation	Single hook, 44 x 19 mm, Chrome and nickel-plated Zamak, per pair
Reference	003712

Description

Per pair.
1 fixing hole.

Wall fixings not included.



Technical characteristics

Finish	Chrome-plated
Dimensions	44 x 19 mm
Material	Zamak
Gross weight	0.040 kg
Packaging	Plastic protection bag + Hanger for display
Made in France	yes
Maintenance	yes
Guarantee	5 years
Gencod	3563390037126
Custom code	7901200000
Technical sheet	No technical sheet available

Fixing and maintenance advices

Careful consideration and selection of the appropriate wall fixings according to the wall-mounted support is required to ensure the long life of your accessory. The use of stainless steel screws (\varnothing 4 mm) is highly recommended to prevent corrosion in damp environment. Before drilling, physically hold the product against the wall at desired position and mark the hole locations. All the fixing points must be respected. After installation and before use, make sure that all fixing screws are tightened securely.



Single hook
Ref. 003712

Fiche produit mise à jour le : 07/05/2024