

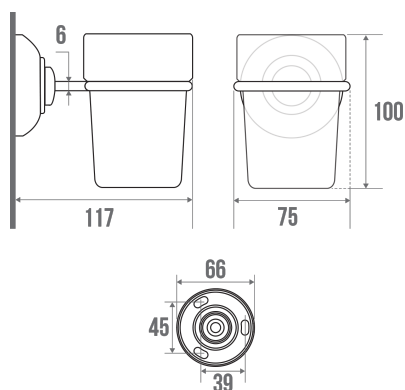
## Product data sheet



### Information

Designation	Tumbler holder, 117 x 75 x 100 mm, White & Blue Epoxy-coated Steel
Reference	013803

### Description



Wall-mounted.  
Concealed fixings.  
Frosted translucent resin glass.  
Steel wire Ø 6 mm.  
Synthetic resin flange and cover plate. Blue (RAL 5002) cover plate.  
Steel tube Ø 25 mm.

Wall fixings not included.  
Range coordinated with our white epoxy-coated aluminium grab bars.

### Technical characteristics

Finish	Epoxy-coated
Color	White & Blue
Dimensions	117 x 75 x 100 mm
Material	Steel
Gross weight	0.160 kg
Packaging	Printed plastic protection bag
Made in France	yes
Maintenance	yes
Guarantee	1 year
Gencod	3563390138038
Custom code	7324900010
Technical sheet	<a href="#">S00001461_IND_09</a>
Spare parts	Ref. 013008, Flange (per piece). Ref. 049003, Blue cover plates (per pair). Ref. 010154, Frosted translucent resin tumbler.

### Fixing and maintenance advices

Careful consideration and selection of the appropriate wall fixings according to the wall-mounted support is required to ensure the long life of your accessory. The use of stainless steel screws ( $\varnothing$  4 mm) is highly recommended to prevent corrosion in damp environment. Before drilling, physically hold the product against the wall at desired position and mark the hole locations. All the fixing points must be respected. After installation and before use, make sure that all fixing screws are tightened securely.

Fiche produit mise à jour le : 10/01/2023