

## Product data sheet



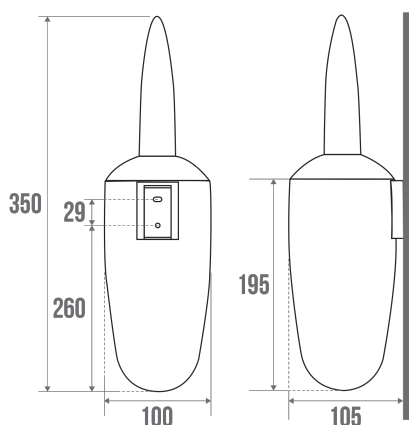
### Information

Designation Toilet brush & holder, 105 x 100 x 350 mm, White ABS  
Reference 013920

### Product advantages

- **Concealed fixings.**

### Description



Wall-mounted.  
Concealed fixings.

Wall fixings not included.  
Range coordinated with our white epoxy-coated grab bars.

### Technical characteristics

Color	White
Dimensions	105 x 100 x 350 mm
Material	ABS
Gross weight	0.170 kg
Packaging	Printed plastic protection bag
Maintenance	yes
Guarantee	1 year
Gencod	3563390139202
Custom code	3922900000
Technical sheet	<a href="#">S00001495_IND_09</a>

### Fixing and maintenance advices

Careful consideration and selection of the appropriate wall fixings according to the wall-mounted support is required to ensure the long life of your accessory. The use of stainless steel screws ( $\varnothing$  4 mm) is highly recommended to prevent corrosion in damp environment. Before drilling, physically hold the product against the wall at desired position and mark the hole locations. All the fixing points must be respected. After installation and before use, make sure that all fixing screws are tightened securely.

Fiche produit mise à jour le : 07/05/2024