

Product data sheet



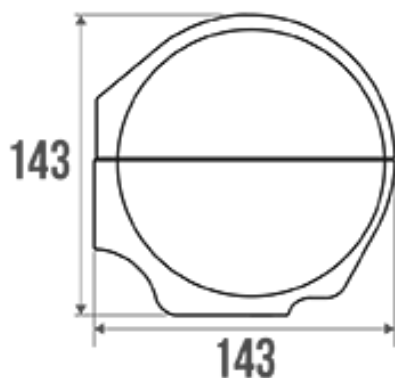
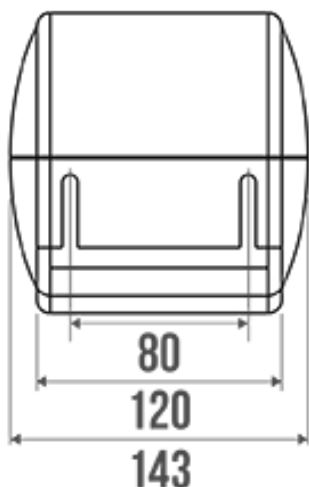
Information

Designation	Toilet roll holder, 143 x 143 x 143 mm, White Thermoset resin
Reference	016109

Product advantages

- + **Antibacterial treatment.**
- + **Ultra-resistant material.**

Description



With lid.

The DUROFORT range is treated with an antibacterial additive (except for products made of ABS) that inhibits the growth and multiplication of bacteria on the surface of the products, providing optimal and long-lasting hygiene.

Thermoset material particularly resistant to scratches, solvents, abrasives and cigarettes burns.

Long-lasting colour and look.

Easy to remove thanks to clip-on system.

This range provides a full equipment particularly suitable for use in institutions.

Wall fixings not included.

Technical characteristics

Color	White
Dimensions	143 x 143 x 143 mm
Material	Thermoset resin
Gross weight	0.417 kg
Packaging	Cardboard box + label
Maintenance	yes
Guarantee	2 years
Gencod	3563390161098
Custom code	3922900000
Technical sheet	No technical sheet available
Spare parts	Ref. 016101, Wall fixing kit.

Fixing and maintenance advices

Careful consideration and selection of the appropriate wall fixings according to the wall-mounted support is required to ensure the long life of your accessory. The use of stainless steel screws (\varnothing 4 mm) is highly recommended to prevent corrosion in damp environment. Before drilling, physically hold the product against the wall at desired position and mark the hole locations. All the fixing points must be respected. After installation and before use, make sure that all fixing screws are tightened securely.

Fiche produit mise à jour le : 07/05/2024