

Product data sheet



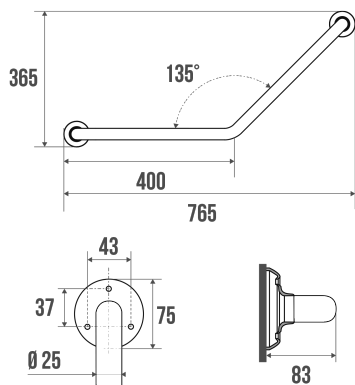
Information

Designation	135° angled grab bar, 400 x 400 mm, Chrome and nickel-plated Brass, tube Ø 25 mm
Reference	043535

Product advantages

- + Corrosion resistant warranty.

Description



Symmetrical.
Visible fixings.
Chrome and nickel-plated brass tube Ø 25 mm.
Bright chrome-plated resin flanges and cover plates.

Stainless steel fixing screws included.

Technical characteristics

Finish	Chrome and nickel-plated
Dimensions	400 x 400 mm
Diameter Ø	25 mm
Material	Brass
Gross weight	0.760 kg
Packaging	Plastic protection bag + Hanger for display
Maximum Weight Capacity	150 kg
Laboratory tests	200 kg
Made in France	yes
Maintenance	yes
Guarantee	10 years
Gencod	3563390435359
Custom code	7418200090
Technical sheet	No technical sheet available

Fixing and maintenance advices

Recommended height for the horizontal part : 800 mm from the ground. Grab bars provide support and added safety if properly fitted in accordance with our technical instructions. Careful consideration and selection of the appropriate wall fixings according to the wall-mounted support is required to ensure the long life of your accessory. The use of stainless steel screws (\varnothing 4 mm) is highly recommended to prevent corrosion in damp environment. Before drilling, physically hold the product against the wall at desired position and mark the hole locations. All the fixing points must be respected. After installation and before use, make sure that all fixing screws are tightened securely. **DO NOT** use the grab bar as a step. **DO NOT** sit on or hang from the grab bar.

Fiche produit mise à jour le : 07/05/2024