

## Product data sheet



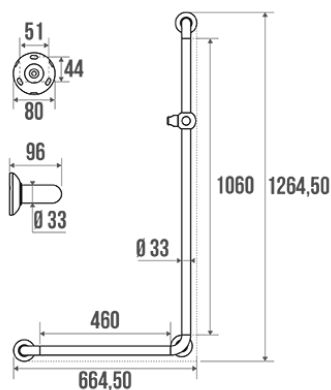
### Information

|             |   |
|-------------|---|
| Designation | L-shaped shower bar, 664.5 x 1264.5 mm, White Polyalu, tube Ø 33 mm |
| Reference   | 046280  |

### Product advantages

- + Help to get up and stand.
- + With slider bracket shower handset.
- + Possible to fit it "to the right" or "to the left".
- + Concealed fixings.

### Description



Composite material: White synthetic resin + aluminium profile. Tube Ø 33 mm.  
With shower rail slider bracket.  
White flange border and central body.  
Concealed fixings.  
Delivered unassembled.  
Allows either right or left-handed configuration.

Stainless steel fixing screws included.

### Technical characteristics

|                         |                   |
|-------------------------|-------------------|
| Color                   | White             |
| Dimensions              | 664.5 x 1264.5 mm |
| Diameter Ø              | 33 mm             |
| Material                | Polyalu           |
| Gross weight            | 1.250 kg          |
| Packaging               | Cardboard box     |
| Maximum Weight Capacity | 150 kg            |
| Laboratory tests        | 225 kg            |
| Made in France          | yes               |

|                 |   |
|-----------------|---|
| Maintenance     | yes   |
| Guarantee       | 10 years  |
| Gencod          | 3563390462805   |
| Custom code     | 7615200000  |
| Technical sheet | <a href="#">S00001876_IND_04</a>  |
| Spare parts     | Ref. 046100, Polyalu cover plate. Ref. 046101, Bag of 3 stainless steel screws. Ref. 046288, Flange, cover plate and fixings. |

## Fixing and maintenance advices

---

Recommended height for the horizontal part : 800 mm from the ground. Grab bars provide support and added safety if properly fitted in accordance with our technical instructions. Careful consideration and selection of the appropriate wall fixings according to the wall-mounted support is required to ensure the long life of your accessory. The use of stainless steel screws (Ø 4 mm) is highly recommended to prevent corrosion in damp environment. Before drilling, physically hold the product against the wall at desired position and mark the hole locations. All the fixing points must be respected. After installation and before use, make sure that all fixing screws are tightened securely. DO NOT use the grab bar as a step. DO NOT sit on or hang from the grab bar.

Fiche produit mise à jour le : 07/05/2024