

Product data sheet



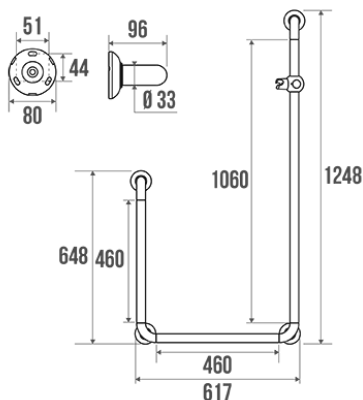
Information

Designation	U-shaped shower bar, 648 x 617 x 1248 mm, White Polyalu, tube Ø 33 mm
Reference	046290

Product advantages

- + Help to get up and stand.
- + With slider bracket shower handset.
- + Possible to fit it "to the right" or "to the left".
- + Concealed fixings.

Description



Composite material: White synthetic resin + aluminium profile. Tube Ø 33 mm.
With shower rail slider bracket.
Concealed fixings.
Delivered unassembled.
Allows either right or left-handed configuration.

Stainless steel fixing screws included.

Technical characteristics

Color	White
Dimensions	648 x 617 x 1248 mm
Diameter Ø	33 mm
Material	Polyalu
Gross weight	3.100 kg
Packaging	Cardboard box
Maximum Weight Capacity	150 kg
Laboratory tests	225 kg
Made in France	yes

Maintenance	yes
Guarantee	10 years
Gencod	3563390462904
Custom code	7615200000
Technical sheet	S00001920_IND_04
Spare parts	Ref. 046100, Polyalu cover plate. Ref. 046101, Bag of 3 stainless steel screws. Ref. 046288, Flange, cover plate and fixings.

Fixing and maintenance advices

Recommended height for the horizontal part : 800 mm from the ground. Grab bars provide support and added safety if properly fitted in accordance with our technical instructions. Careful consideration and selection of the appropriate wall fixings according to the wall-mounted support is required to ensure the long life of your accessory. The use of stainless steel screws (Ø 4 mm) is highly recommended to prevent corrosion in damp environment. Before drilling, physically hold the product against the wall at desired position and mark the hole locations. All the fixing points must be respected. After installation and before use, make sure that all fixing screws are tightened securely. DO NOT use the grab bar as a step. DO NOT sit on or hang from the grab bar.

Fiche produit mise à jour le : 07/05/2024