

Product data sheet



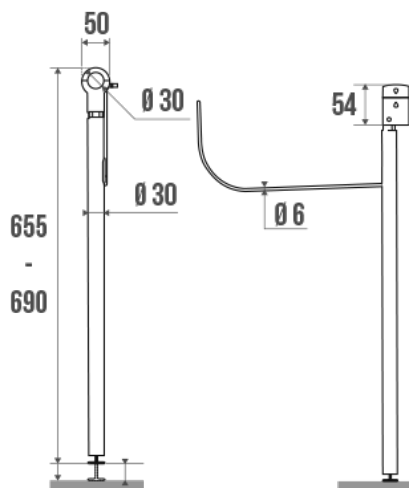
Information

Designation	Adjustable support prop for hinged bar, 50 x 655 mm, White Epoxy-coated Aluminium, tube Ø 30 mm
Reference	048810

Product advantages

- + Safe for hollow walls.
- + Height-adjustable by jack.
- + Anti-corrosion warranty.

Description



Use of the prop is recommended when the fixing wall is not strong.
Possibility to fix the toilet roll holder ref. 048820 to the hinged bar.

Height-adjustable.
For bars Ø 30 mm.
Support prop only.

Technical characteristics

Finish	Epoxy-coated
Color	White
Dimensions	50 x 655 mm
Diameter Ø	30 mm
Material	Aluminum
Gross weight	0.700 kg
Packaging	Four-color process cardboard
Made in France	yes

Maintenance	yes
Guarantee	10 years
Gencod	3563390488102
Custom code	7615200000
Technical sheet	S00001398_IND_08

Fixing and maintenance advices

IMPORTANT: The superior part of the hinged bar must be at 800 mm from the ground when in horizontal position.

Fiche produit mise à jour le : 07/05/2024