

## Product data sheet



### Information

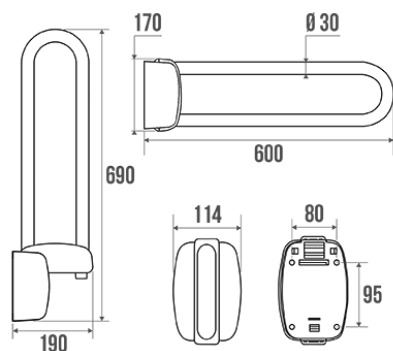
Designation Hinged bar, 600 mm, Brushed Stainless steel, tube Ø 30 mm  
Reference 048865



### Product advantages

- + Raised position locking.
- + Help to get up and stand.
- + Concealed fixings.
- + Corrosion resistant warranty.

### Description



Brushed 304 stainless steel tube Ø 30 mm.  
Synthetic resin flange.  
Vertical locking.

### Technical characteristics

Finish	Brushed
Dimensions	600 mm
Diameter Ø	30 mm
Material	Stainless steel
Gross weight	2.080 kg
Packaging	Printed Cardboard box
CE Marking : safe load	150 kg
Laboratory tests	225 kg
Made in France	yes

Maintenance	yes
Guarantee	10 years
Gencod	3563390488652
Custom code	7324900010
Technical sheet	<a href="#">A48860825_IND_04</a>

## Fixing and maintenance advices

---

Recommended height for the horizontal part : 800 mm from the ground. Hinged bars provide support and added safety if properly fitted in accordance with our technical instructions. Careful consideration and selection of the appropriate wall fixings according to the wall-mounted support is required to ensure the long life of your accessory. The use of stainless steel screws ( $\varnothing$  4 mm) is highly recommended to prevent corrosion in damp environment. Before drilling, physically hold the product against the wall at desired position and mark the hole locations. All the fixing points must be respected. After installation and before use, make sure that all fixing screws are tightened securely. DO NOT use the hinged bar as a step. DO NOT sit on or hang from the grab bar. On wall not strong enough, 3 solutions: the free-standing pole ref: 048400, the support prop ref: 048810 or you can also install a backplate behind the wall.

Fiche produit mise à jour le : 07/05/2024