

Product data sheet



Information

Designation	Hinged bar, 770 mm, White Epoxy-coated Aluminium, tube Ø 30 mm
Reference	048880

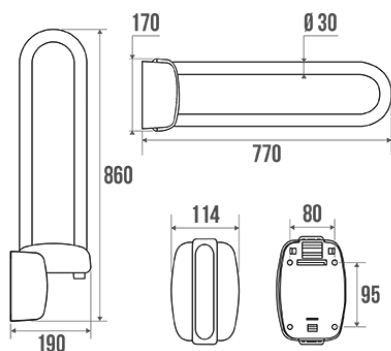


Product advantages

- + Raised position locking.
- + Reinforced aluminium tube.
- + Help to get up and stand.
- + Concealed fixings.

Description

White epoxy-coated aluminium tube Ø 30 mm.
Synthetic resin flange.
Vertical locking.



Technical characteristics

Finish	Epoxy-coated
Color	White
Dimensions	770 mm
Diameter Ø	30 mm
Material	Aluminum
Gross weight	2.300 kg
Packaging	Printed Cardboard box
CE Marking : safe load	120 kg
Laboratory tests	225 kg

Made in France	yes
Maintenance	yes
Guarantee	10 years
Gencod	3563390488805
Custom code	7615200000
Technical sheet	A48860825_IND_04

Fixing and maintenance advices

Recommended height for the horizontal part : 800 mm from the ground. Hinged bars provide support and added safety if properly fitted in accordance with our technical instructions. Careful consideration and selection of the appropriate wall fixings according to the wall-mounted support is required to ensure the long life of your accessory. The use of stainless steel screws (\varnothing 4 mm) is highly recommended to prevent corrosion in damp environment. Before drilling, physically hold the product against the wall at desired position and mark the hole locations. All the fixing points must be respected. After installation and before use, make sure that all fixing screws are tightened securely. DO NOT use the hinged bar as a step. DO NOT sit on or hang from the grab bar. On wall not strong enough, 3 solutions: the free-standing pole ref: 048400, the support prop ref: 048810 or you can also install a backplate behind the wall.

Fiche produit mise à jour le : 07/05/2024