

Product data sheet



Arsis
EVOLUTION



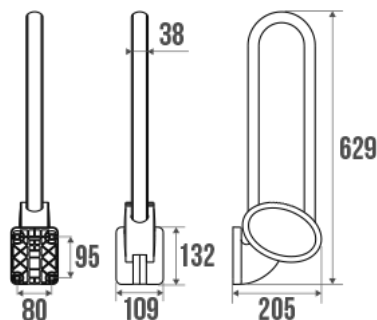
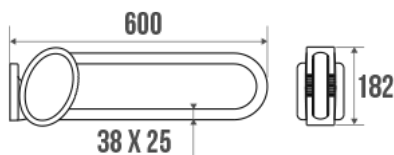
Information

Designation	ARSIS hinged bar, 600 mm, White Epoxy-coated Aluminium, tube 38 x 25 mm
Reference	048960

Product advantages

- + **Soft close system.**
- + **Elliptic tube for an improved grip.**
- + **Upgradeable product !**

Description



Concealed fixings.
Elliptical tube 38 x 25 mm in white epoxy-coated aluminium.
Wall flange, cover plate, joint and side plates in mat chrome-plated synthetic resin.

Wall fixings included.
Design coordinated with all ARSIS Comfort items.
Perfectly suitable for use in the hospitality industry.

Technical characteristics

Finish	Epoxy-coated
Color	Mat chrome-plated & white
Dimensions	600 mm
Diameter Ø	38 x 25 mm
Material	Aluminum
Gross weight	2.250 kg
Packaging	Cardboard box + label

CE Marking : safe load	150 kg
Laboratory tests	225 kg
Made in France	yes
Maintenance	yes
Guarantee	10 years
Gencod	3563390489604
Custom code	7615200000
Technical sheet	A48960812_IND_04

Fixing and maintenance advices

Recommended height for the horizontal part : 800 mm from the ground. Hinged bars provide support and added safety if properly fitted in accordance with our technical instructions. Careful consideration and selection of the appropriate wall fixings according to the wall-mounted support is required to ensure the long life of your accessory. The use of stainless steel screws (\varnothing 4 mm) is highly recommended to prevent corrosion in damp environment. Before drilling, physically hold the product against the wall at desired position and mark the hole locations. All the fixing points must be respected. After installation and before use, make sure that all fixing screws are tightened securely. **DO NOT** use the hinged bar as a step. **DO NOT** sit on or hang from the grab bar. On wall not strong enough, 3 solutions: the free-standing pole ref: 048400, the support prop ref: 048610 or you can also install a backplate behind the wall.

Fiche produit mise à jour le : 07/05/2024