

Product data sheet



Information

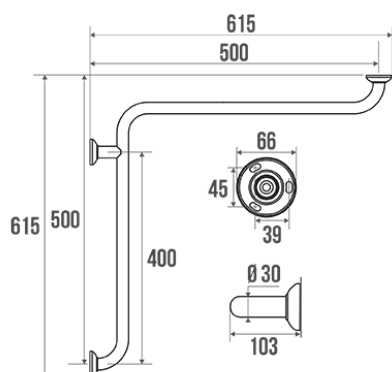
Designation	90° inside corner grab bar, 500 x 500 mm, White Epoxy-coated Aluminium, tube Ø 30 mm
Reference	049250



Product advantages

- + Invisible fasteners.
- + Anti-corrosion guarantee.

Description



3 fixing points.
Interior angle of 90 degrees.
Concealed fixings.
White epoxy-coated aluminium tube Ø 30 mm.
White resin flanges.

Possibility to fix the toilet roll holder ref. 048820 to this bar.
Design coordinated with the TRIOLO Range accessories.
Fixing screws included (4 x 30 mm).

Technical characteristics

Finish	Epoxy-coated
Color	White
Dimensions	500 x 500 mm
Diameter Ø	30 mm
Material	Aluminum
Gross weight	0.940 kg
Packaging	Printed plastic protection bag
Laboratory tests	225 kg
Made in France	yes
Maintenance	yes
Guarantee	10 years
Gencod	3563390492505

Custom code

761520000

Technical sheet

[A49130137_IND_08](#)

Fixing and maintenance advices

Recommended height for the horizontal part : 800 mm from the ground. Grab bars provide support and added safety if properly fitted in accordance with our technical instructions. Careful consideration and selection of the appropriate wall fixings according to the wall-mounted support is required to ensure the long life of your accessory. The use of stainless steel screws (Ø 4 mm) is highly recommended to prevent corrosion in damp environment. Before drilling, physically hold the product against the wall at desired position and mark the hole locations. All the fixing points must be respected. After installation and before use, make sure that all fixing screws are tightened securely. DO NOT use the grab bar as a step. DO NOT sit on or hang from the grab bar.

Fiche produit mise à jour le : 07/05/2024