

## Product data sheet



### Information

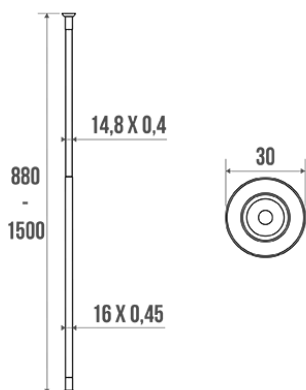
Designation	Extending straight curtain rail, 880 à 1500 mm, Chrome and nickel-plated Brass, tube Ø 16 mm
Reference	004632



### Product advantages

- + Corrosion resistant warranty.

### Description



Tube Ø 16 x 0,5 mm.  
Supplied with flanges, screws and wall plugs.  
Cannot be shortened.

Wall fixings included.

### Technical characteristics

Finish	Chrome and nickel-plated
Dimensions	880 to 1500 mm
Diameter Ø	16 mm
Material	Brass
Gross weight	0.320 kg
Packaging	Plastic protection bag
Made in France	yes
Maintenance	yes
Guarantee	10 years
Gencod	3563390046326
Custom code	7418200090
Technical sheet	No technical sheet available

## Fixing and maintenance advices

---

Careful consideration and selection of the appropriate wall fixings according to the wall-mounted support is required to ensure the long life of your accessory. The use of stainless steel screws ( $\varnothing$  4 mm) is highly recommended to prevent corrosion in damp environment. Before drilling, physically hold the product against the wall at desired position and mark the hole locations. All the fixing points must be respected. After installation and before use, make sure that all fixing screws are tightened securely.

Fiche produit mise à jour le : 07/05/2024