

## Product data sheet



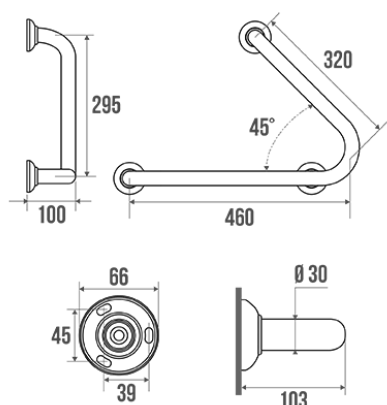
### Information

Designation	45° angled grab bar, 320 x 460 mm, White Epoxy-coated Aluminium , tube Ø 30 mm
Reference	049280

### Product advantages

- + Invisible fasteners.
- + Anti-corrosion guarantee.

### Description



Concealed fixings.  
3 fixing points.  
45-degree angled to the right.  
White epoxy-coated aluminium tube.  
Synthetic resin flanges.

Design coordinated with the TRIOLO Range accessories.

### Technical characteristics

Finish	Epoxy-coated
Color	White
Dimensions	320 x 460 mm
Diameter Ø	30 mm
Material	Aluminum
Gross weight	0.700 kg
Packaging	Plastic protection bag + Hanger for display
Made in France	yes
Maintenance	yes
Guarantee	10 years
Gencod	3563390492802
Custom code	7615200000

Technical sheet

No technical sheet available

## Fixing and maintenance advices

---

Recommended height for the horizontal part : 800 mm from the ground. Grab bars provide support and added safety if properly fitted in accordance with our technical instructions. Careful consideration and selection of the appropriate wall fixings according to the wall-mounted support is required to ensure the long life of your accessory. The use of stainless steel screws (Ø 4 mm) is highly recommended to prevent corrosion in damp environment. Before drilling, physically hold the product against the wall at desired position and mark the hole locations. All the fixing points must be respected. After installation and before use, make sure that all fixing screws are tightened securely. **DO NOT** use the grab bar as a step. **DO NOT** sit on or hang from the grab bar.

Fiche produit mise à jour le : 07/05/2024