

Product data sheet



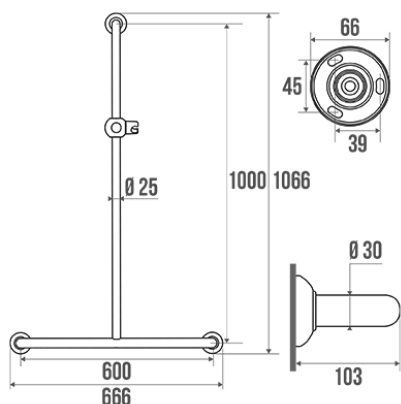
Information

| | |
|-------------|--|
| Designation | T-shaped shower bar, 600 x 1000 mm, White Epoxy-coated Aluminium, tube Ø 30 mm |
| Reference | 049340 |

Product advantages

- **Support and lifting aid.**
- **With sliding shower holder.**
- **Invisible fastenings.**
- **Anti-corrosion warranty.**

Description



Supplied with universal clip-on shower rail slider bracket in white ABS.
White epoxy-coated aluminium tube.
White resin cover plates.

Design coordinated with the TRIOLO range accessories and with the COMFORT and SAFETY items.

Technical characteristics

| | |
|------------------------|------------------------|
| Finish | Epoxy-coated |
| Color | White |
| Dimensions | 600 x 1000 mm |
| Diameter Ø | 30 mm |
| Material | Aluminum |
| Gross weight | 1.340 kg |
| Packaging | Plastic protection bag |
| CE Marking : safe load | 150 kg |
| Laboratory tests | 200 kg |
| Made in France | yes |
| Maintenance | yes |

| | |
|-----------------|----------------------------------|
| Guarantee | 10 years |
| Net weight | 1.300 kg |
| Gencod | 3563390493403 |
| Custom code | 7615200000 |
| Technical sheet | A49130137_IND_09 |

Fixing and maintenance advices

Recommended height for the horizontal part : 800 mm from the ground. Grab bars provide support and added safety if properly fitted in accordance with our technical instructions. Careful consideration and selection of the appropriate wall fixings according to the wall-mounted support is required to ensure the long life of your accessory. The use of stainless steel screws (\varnothing 4 mm) is highly recommended to prevent corrosion in damp environment. Before drilling, physically hold the product against the wall at desired position and mark the hole locations. All the fixing points must be respected. After installation and before use, make sure that all fixing screws are tightened securely. DO NOT use the grab bar as a step. DO NOT sit on or hang from the grab bar.

Fiche produit mise à jour le : 07/05/2024