

Product data sheet

Information

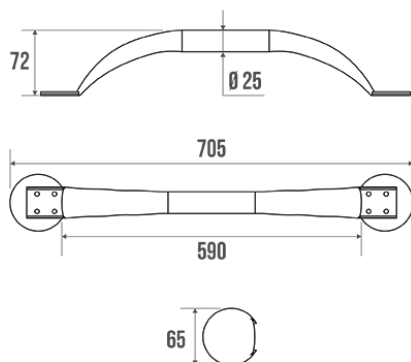
Designation	One-piece grab bar, 705 mm, Brushed Stainless steel, tube Ø 25 mm
Reference	049460



Product advantages

- + Invisible fasteners.

Description



Brushed 304 stainless steel tube Ø 25 mm.
One-piece bar.
Concealed fixings.
Mat chrome-plated resin cover plates Ø 65 mm.

Technical characteristics

Finish	Brushed
Dimensions	590 mm
Diameter Ø	25 mm
Material	Stainless steel
Gross weight	0.480 kg
Packaging	Printed plastic protection bag
Maximum Weight Capacity	150 kg
Laboratory tests	225 kg
Made in France	yes
Maintenance	yes
Guarantee	5 years
Gencod	3563390494608
Custom code	7324900010
Technical sheet	A74983002_IND_07

Spécificité

Incompatible dans les milieux chlorés.

Fixing and maintenance advices

Recommended height for the horizontal part : 800 mm from the ground. Grab bars provide support and added safety if properly fitted in accordance with our technical instructions. Careful consideration and selection of the appropriate wall fixings according to the wall-mounted support is required to ensure the long life of your accessory. The use of stainless steel screws (Ø 4 mm) is highly recommended to prevent corrosion in damp environment. Before drilling, physically hold the product against the wall at desired position and mark the hole locations. All the fixing points must be respected. After installation and before use, make sure that all fixing screws are tightened securely. **DO NOT** use the grab bar as a step. **DO NOT** sit on or hang from the grab bar.

Fiche produit mise à jour le : 07/05/2024