

## Product data sheet



### Information

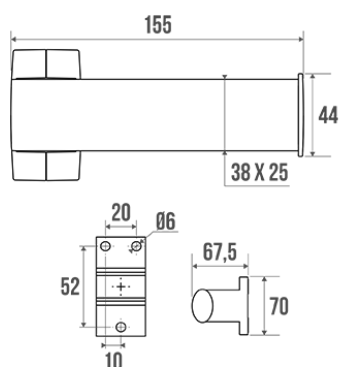


Designation	Toilet roll holder, White epoxy-coated Aluminium, mat chrome-plated flanges, tube 38 x 25 mm
Reference	049913

### Product advantages

- + **Elegant and design shape.**
- + **Concealed fixings.**
- + **Corrosion resistant warranty.**

### Description



Single.  
Elliptical white aluminium tube 38 x 25 mm.  
Mat chrome-plated resin cover plates.

Wall fixings included.  
Design coordinated with all ARSIS Comfort items.  
Perfectly suitable for use in the hospitality industry.

### Technical characteristics

Finish	Epoxy-coated
Color	Mat chrome-plated & white
Dimensions	155 x 70 x 67.5 mm
Diameter Ø	38 x 25 mm
Material	Aluminum
Gross weight	0.220 kg
Packaging	Plastic protection bag + Hanger for display
Made in France	yes
Maintenance	yes
Guarantee	5 years

Gencod	3563390499139
Custom code	7615200000
Technical sheet	<a href="#">S04901100_IND_03</a>
Spare parts	Réf. 049007 : Support de fixation alu chromé, Réf. 049009 : Cache-fixation gris chromé mat

## Fixing and maintenance advices

---

The toilet paper dispensers are designed and manufactured for use assigned to them. These products may under no circumstances be used to maintain, recover or hang. Careful consideration and selection of the appropriate wall fixings according to the wall-mounted support is required to ensure the long life of your accessory. The use of stainless steel screws ( $\varnothing$  4 mm) is highly recommended to prevent corrosion in damp environment. Before drilling, physically hold the product against the wall at desired position and mark the hole locations. All the fixing points must be respected. After installation and before use, make sure that all fixing screws are tightened securely.

Fiche produit mise à jour le : 07/05/2024