

Product data sheet



Information

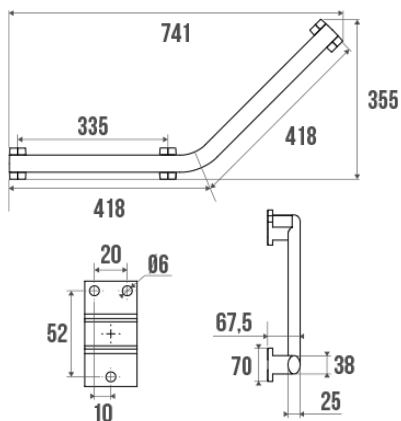
Designation ARSIS 135° angled grab bar, 400 x 400 mm, White Epoxy-coated Aluminium, mat chrome-plated flanges, 3 fixing points
Reference 049935



Product advantages

- + Elliptic tube for an improved grip.
- + Possible to fit it "to the right" or "to the left".
- + Elegant and design shape.
- + Corrosion resistant warranty.

Description



3 fixing points.
Symmetrical 400 x 400 mm.
Elliptical tube in white epoxy-coated aluminium.
Mat chrome-plated resin cover plates.
3rd point to be fitted for right or left configuration.

Wall fixings included.
Design coordinated with all ARSIS Comfort items.
Perfectly suitable for use in the hospitality industry.

Technical characteristics

Finish	Epoxy-coated
Color	Mat chrome-plated & white
Dimensions	400 x 400 mm
Diameter Ø	38 x 25 mm
Material	Aluminum
Gross weight	0.860 kg
Packaging	Plastic protection bag + Hanger for display
CE Marking : safe load	150 kg

Laboratory tests	225 kg
Made in France	yes
Maintenance	yes
Guarantee	10 years
Net weight	0.800 kg
Gencod	3563390499351
Custom code	7615200000
Technical sheet	A04903502_IND_06
Spare parts	Réf. 049007 : Support de fixation alu chromé, Réf. 049009 : Cache-fixation gris chromé mat

Fixing and maintenance advices

Recommended height for the horizontal part : 800 mm from the ground. Grab bars provide support and added safety if properly fitted in accordance with our technical instructions. Careful consideration and selection of the appropriate wall fixings according to the wall-mounted support is required to ensure the long life of your accessory. The use of stainless steel screws (Ø 4 mm) is highly recommended to prevent corrosion in damp environment. Before drilling, physically hold the product against the wall at desired position and mark the hole locations. All the fixing points must be respected. After installation and before use, make sure that all fixing screws are tightened securely. DO NOT use the grab bar as a step. DO NOT sit on or hang from the grab bar.

Fiche produit mise à jour le : 07/05/2024