

## Product data sheet



### Information

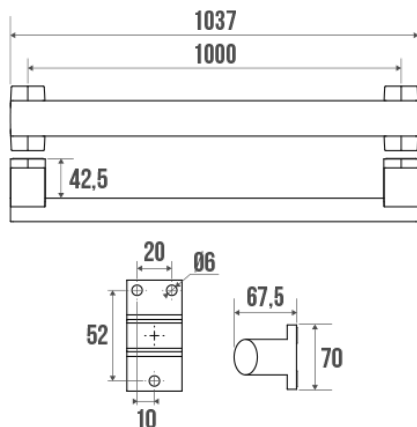
|             |                                                                                           |
|-------------|-------------------------------------------------------------------------------------------|
| Designation | ARSIS straight grab bar, 1000 mm, White Epoxy-coated Aluminium, mat chrome-plated flanges |
| Reference   | 049990                                                                                    |



### Product advantages

- + Elliptic tube for an improved grip.
- + Elegant and Design.
- + Corrosion resistant warranty.

### Description



Elliptical tube in white epoxy-coated aluminium.  
Mat chrome-plated resin cover plates.

Wall fixings included.  
Design coordinated with all ARSIS Comfort items.  
Perfectly suitable for use in the hospitality industry.

### Technical characteristics

|                        |                                             |
|------------------------|---------------------------------------------|
| Finish                 | Epoxy-coated                                |
| Color                  | Mat chrome-plated & white                   |
| Dimensions             | 1000 mm                                     |
| Diameter Ø             | 38 x 25 mm                                  |
| Material               | Aluminum                                    |
| Gross weight           | 0.880 kg                                    |
| Packaging              | Plastic protection bag + Hanger for display |
| CE Marking : safe load | 100 kg                                      |
| Laboratory tests       | 150 kg                                      |
| Made in France         | yes                                         |

|                 |                                                                                            |
|-----------------|--------------------------------------------------------------------------------------------|
| Maintenance     | yes                                                                                        |
| Guarantee       | 10 years                                                                                   |
| Net weight      | 0.780 kg                                                                                   |
| Gencod          | 3563390499900                                                                              |
| Custom code     | 7615200000                                                                                 |
| Technical sheet | <a href="#">A04984002_IND_11</a>                                                           |
| Spare parts     | Réf. 049007 : Support de fixation alu chromé, Réf. 049009 : Cache-fixation gris chromé mat |

## Fixing and maintenance advices

---

Recommended height for the horizontal part : 800 mm from the ground. Grab bars provide support and added safety if properly fitted in accordance with our technical instructions. Careful consideration and selection of the appropriate wall fixings according to the wall-mounted support is required to ensure the long life of your accessory. The use of stainless steel screws (Ø 4 mm) is highly recommended to prevent corrosion in damp environment. Before drilling, physically hold the product against the wall at desired position and mark the hole locations. All the fixing points must be respected. After installation and before use, make sure that all fixing screws are tightened securely. **DO NOT** use the grab bar as a step. **DO NOT** sit on or hang from the grab bar.

Fiche produit mise à jour le : 07/05/2024