

Product data sheet



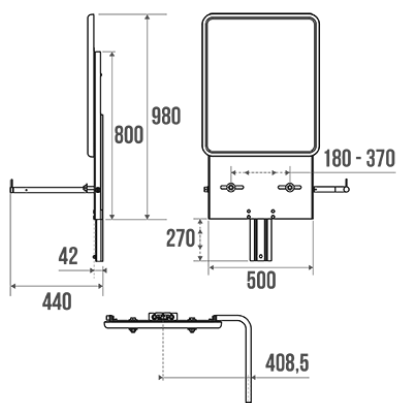
Information

Designation	Adjustable washbasin support with mirror, 980 x 500 mm, Grey epoxy-coated aluminium and white thermoformed ABS mirror for washba
Reference	052100

Product advantages

- + Easy to handle.
- + Design: hidden system.
- + Delivered with mirror.
- + Adapted to all types of persons.

Description



Adjustable height with a system of gas jack, up to 270 mm.
 For 18 to 22 kg washbasin.
 In the lowest position, the adjustable washbasin support shall be set at 1.50 m from the ground.
 Supplied with mirror 560 x 680 mm.

Support fitted for any type of washbasin whose fastening distance lies between 180 and 370 mm.
 Washbasin maximum width 700 mm.
 With white mirror.
 Washbasin not supplied.

Technical characteristics

Finish	Epoxy-coated
Color	Grey
Dimensions	980 x 500 mm
Material	Aluminum
Gross weight	19.000 kg
Packaging	Printed Cardboard box
Made in France	yes
Maintenance	yes

Guarantee	3 years
Gencod	3563390521007
Custom code	7324900010
Technical sheet	S05210001_IND_07

Fixing and maintenance advices

Please refer to our fixing instructions.

Fiche produit mise à jour le : 07/05/2024