

Product data sheet



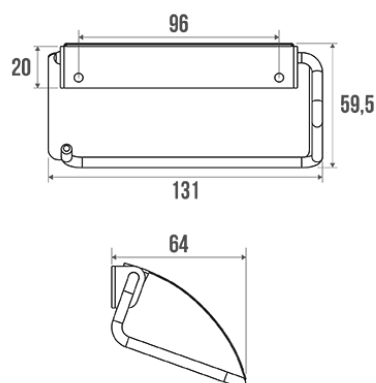
Information

Designation	Toilet roll holder, 133 x 76 mm, Bright polished Stainless steel, tube Ø 5 mm
Reference	063622

Description

Bright polished 304 stainless steel wire and lid.

Perfectly suited for use in Institutions.



Technical characteristics

Finish	Bright polished
Diameter Ø	5 mm
Material	Stainless steel
Gross weight	0.130 kg
Packaging	Printed plastic protection bag
Made in France	yes
Maintenance	yes
Guarantee	5 years
Gencod	3563390636220
Custom code	7324900010
Technical sheet	No technical sheet available

Fixing and maintenance advices

Careful consideration and selection of the appropriate wall fixings according to the wall-mounted support is required to ensure the long life of your accessory. The use of stainless steel screws (Ø 4 mm) is highly recommended to prevent corrosion in damp environment. Before drilling, physically hold the product against the wall at desired position and mark the hole locations. All the fixing points must be respected. After installation and before use, make sure that all fixing screws are tightened securely.



Fiche produit mise à jour le : 07/05/2024