

Product data sheet

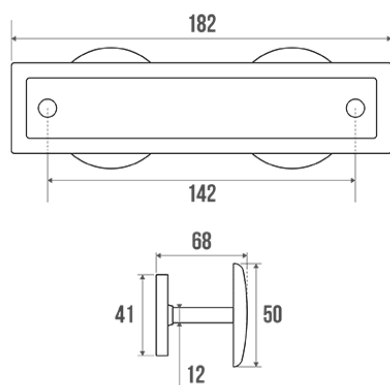
Information



Designation	Double robe hook, 182 x 68 mm, Bright polished Stainless steel, Ø 50 mm
Reference	065802

Description

Polished 304 stainless steel.
Perfectly suited for use in Institutions.



Technical characteristics

Finish	Bright polished
Dimensions	182 x 68 mm
Diameter Ø	50 mm
Material	Stainless steel
Gross weight	0.157 kg
Packaging	Plastic protection bag
Made in France	yes
Maintenance	yes
Guarantee	5 years
Net weight	0.161 kg
Gencod	3563390658024
Custom code	7324900010
Technical sheet	No technical sheet available

Fixing and maintenance advices

Careful consideration and selection of the appropriate wall fixings according to the wall-mounted support is required to ensure the long life of your accessory. The use of stainless steel screws (\varnothing 4 mm) is highly recommended to prevent corrosion in damp environment. Before drilling, physically hold the product against the wall at desired position and mark the hole locations. All the fixing points must be respected. After installation and before use, make sure that all fixing screws are tightened securely.

Fiche produit mise à jour le : 07/05/2024