

## Product data sheet



### Information

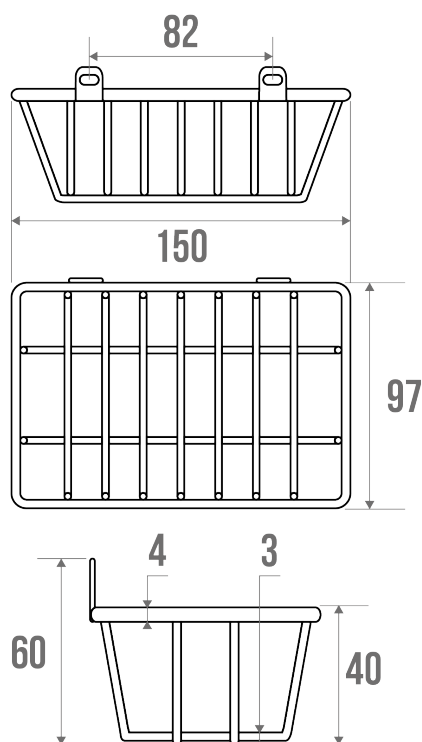
Designation	Soap basket, 150 x 100 x 40 mm, Chrome-plated Steel
Reference	825144



### Description

Wall-mounted.  
Chrome-plated steel wire.

Perfectly suited for use in Institutions.



### Technical characteristics

Finish	Chrome-plated
Material	Steel
Gross weight	0.100 kg
Packaging	Plastic protection bag
Made in France	yes
Maintenance	yes
Guarantee	1 year
Gencod	3563398251449
Custom code	7324900010

Technical sheet

No technical sheet available

## Fixing and maintenance advices

---

Careful consideration and selection of the appropriate wall fixings according to the wall-mounted support is required to ensure the long life of your accessory. The use of stainless steel screws ( $\varnothing$  4 mm) is highly recommended to prevent corrosion in damp environment. Before drilling, physically hold the product against the wall at desired position and mark the hole locations. All the fixing points must be respected. After installation and before use, make sure that all fixing screws are tightened securely.

Fiche produit mise à jour le : 10/01/2024