

Product data sheet

Information

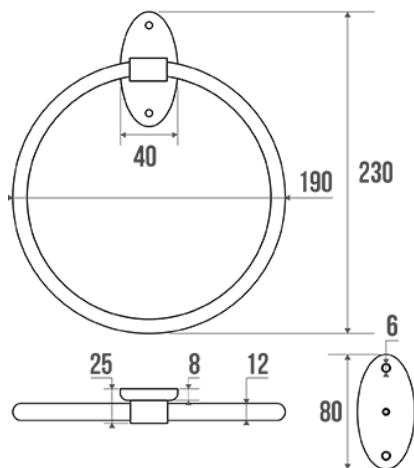
Designation	Towel ring, White Epoxy-coated Steel, Ø 220 mm
Reference	841175



Description

White epoxy-coated steel tube Ø 10 mm.

Perfectly suited for use in Institutions.



Technical characteristics

Finish	Epoxy-coated
Color	White
Diameter Ø	220 mm
Material	Steel
Gross weight	0.180 kg
Packaging	Shrink film
Made in France	yes
Maintenance	yes
Guarantee	1 year
Gencod	3563398411751
Custom code	7324900010
Technical sheet	No technical sheet available

Fixing and maintenance advices

Careful consideration and selection of the appropriate wall fixings according to the wall-mounted support is required to ensure the long life of your accessory. The use of stainless steel screws (\varnothing 4 mm) is highly recommended to prevent corrosion in damp environment. Before drilling, physically hold the product against the wall at desired position and mark the hole locations. All the fixing points must be respected. After installation and before use, make sure that all fixing screws are tightened securely.

Fiche produit mise à jour le : 10/01/2024