

Product data sheet



Information

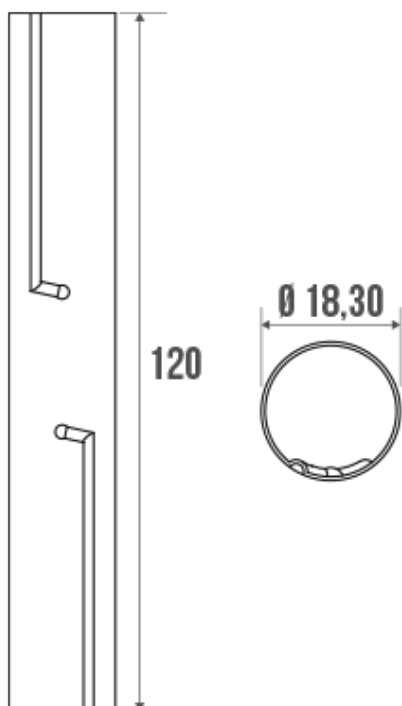
| | |
|-------------|---|
| Designation | Extension connector for curtain rails, 120 mm, Chrome and nickel-plated Brass, tube Ø 18 mm |
| Reference | 004843 |



Product advantages

- + Corrosion resistant warranty.

Description



Straight tube Ø 18 and 30 mm for curtain rails in kit.
Can be cut to size.
Perfectly suited for use in Institutions.

Wall fixings not included.

Technical characteristics

| | |
|--------------|--------------------------|
| Finish | Chrome and nickel-plated |
| Dimensions | 120 mm |
| Diameter Ø | 18 mm |
| Material | Brass |
| Gross weight | 0.060 kg |

| | |
|-----------------|------------------------------|
| Packaging | Cardboard box |
| Made in France | yes |
| Maintenance | yes |
| Guarantee | 10 years |
| Gencod | 3563390048436 |
| Custom code | 7418200090 |
| Technical sheet | No technical sheet available |

Fixing and maintenance advices

No particular recommendation for the fitting.

Fiche produit mise à jour le : 07/05/2024