

## Product data sheet



### Information

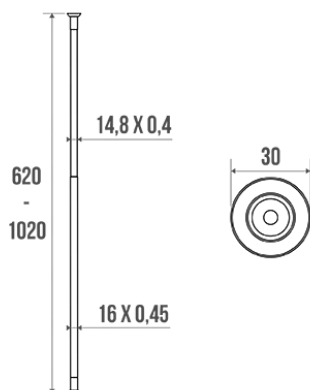
Designation	Extending straight curtain rail, 620 à 1020 mm, Chrome and nickel-plated Brass, tube Ø 16 mm
Reference	004911



### Product advantages

- + Corrosion resistant warranty.

### Description



Straight tube Ø 16 x 0,5 mm.  
Cannot be shortened.  
After positioning the flanges on the wall, adjusting the width of the tube for screwing / unscrewing.

Wall fixings not included.

### Technical characteristics

Finish	Chrome and nickel-plated
Dimensions	620 to 1020 mm
Diameter Ø	16 mm
Material	Brass
Gross weight	0.230 kg
Packaging	Plastic protection bag + Hanger for display
Made in France	yes
Maintenance	yes
Guarantee	10 years
Gencod	3563390049112
Custom code	7418200090
Technical sheet	No technical sheet available

## Fixing and maintenance advices

---

No particular recommendation for the fitting.

Fiche produit mise à jour le : 07/05/2024