

Product data sheet



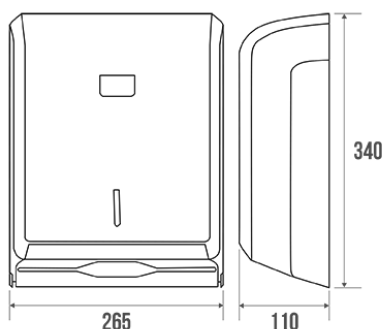
Information

Designation	Hand paper towel dispenser, 340 x 265 x 110 mm, White & Grey ABS
Reference	878098

Description

White cowling - Grey chassis.
Hand paper towels dispensers for folded 2 ply paper. Grand modèle .
Fill level indicator.
With key lock.

Supplied with 1 plastic key.
To use with the hand towel paper ref. 870073 (Pack of 30 sleeves x 125 sheets).



Technical characteristics

Dimensions	340 x 265 x 110 mm
Capacity	400 to 600 hand towels
Material	ABS
Gross weight	0.900 kg
Packaging	Cardboard box + label
Made in France	yes
Maintenance	yes
Guarantee	1 year
Gencod	3563398780987
Custom code	3922900000
Technical sheet	No technical sheet available
Spare parts	Ref. 870073: Hand towel paper. 2 folds. 30 packs with 125 towels.

Fixing and maintenance advices

Careful consideration and selection of the appropriate wall fixings according to the wall-mounted support is required to ensure the long life of your accessory. The use of stainless steel screws (Ø 4 mm) is highly recommended to prevent corrosion in damp environment. Before drilling, physically hold the product against the wall at desired

position and mark the hole locations. All the fixing points must be respected. After installation and before use, make sure that all fixing screws are tightened securely.

Fiche produit mise à jour le : 10/01/2024