

Product data sheet



Information

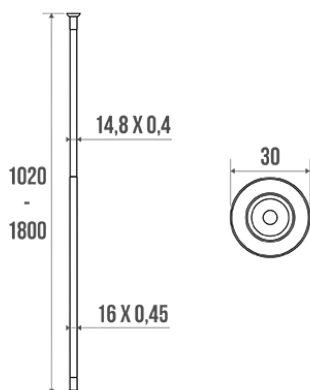
Designation	Extending straight curtain rail, 1020 à 1800 mm, Chrome and nickel-plated Brass, tube Ø 16 mm
Reference	004912



Product advantages

- + Corrosion resistant warranty.

Description



Straight tube Ø 16 x 0,5 mm.
Cannot be shortened.
After positioning the flanges on the wall, adjusting the width of the tube for screwing / unscrewing.

Wall fixings not included.

Technical characteristics

Finish	Chrome and nickel-plated
Dimensions	1020 to 1800 mm
Diameter Ø	16 mm
Material	Brass
Gross weight	0.370 kg
Packaging	Plastic protection bag + Hanger for display
Made in France	yes
Maintenance	yes
Guarantee	10 years
Gencod	3563390049129
Custom code	7418200090
Technical sheet	No technical sheet available

Fixing and maintenance advices

No particular recommendation for the fitting.

Fiche produit mise à jour le : 07/05/2024