

Product data sheet



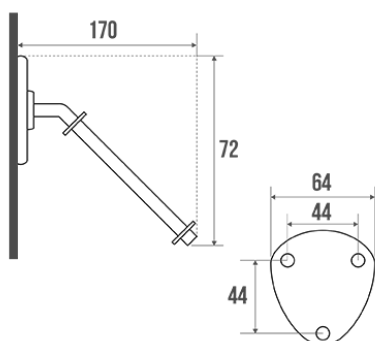
Information

| | |
|-------------|--|
| Designation | Rotating soap holder, 72 x 64 x 170 mm, Chrome and nickel-plated Brass |
| Reference | 878294 |

Description

Wall-mounted.
Screw rod. The soap is screwed on the rod.

Supplied with screws and wall plugs.
Perfectly suited for use in Institutions.



Technical characteristics

| | |
|-----------------|---|
| Finish | Chrome and nickel-plated |
| Material | Brass |
| Gross weight | 0.180 kg |
| Packaging | In bulk |
| Maintenance | yes |
| Guarantee | 1 year |
| Gencod | 3563398782943 |
| Custom code | 7418200090 |
| Technical sheet | No technical sheet available |
| Spare parts | Ref. 870270: natural soap made exclusively from coconut oils (Coprah). Yellow-coloured. Apple and lemon fragrance. Net weight per piece: 300 g - Dimensions: 100x70 mm. Sold by cardboard box of 6 pieces, weight: 1,875 kg. |

Fixing and maintenance advices

Careful consideration and selection of the appropriate wall fixings according to the wall-mounted support is required to ensure the long life of your accessory. The use of stainless steel screws (\varnothing 4 mm) is highly recommended to prevent corrosion in damp environment. Before drilling, physically hold the product against the wall at desired position and mark the hole locations. All the fixing points must be respected. After installation and before use, make sure that all fixing screws are tightened securely.

Fiche produit mise à jour le : 11/01/2023