

Product data sheet

Information

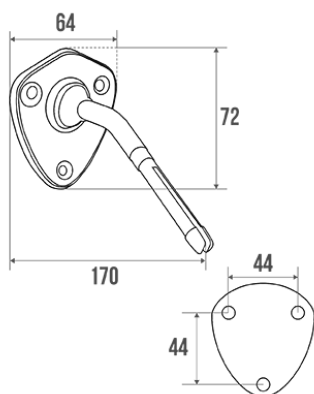
Designation	Rotating soap holder, 72 x 64 x 170 mm, Chrome and nickel-plated Brass
Reference	878295



Description

Wall-mounted.
Clip-on rod. The soap is clipped-on the rod.

Supplied with screws and wall plugs.
Perfectly suited for use in Institutions.



Technical characteristics

Finish	Chrome and nickel-plated
Material	Brass
Gross weight	0.130 kg
Packaging	In bulk
Maintenance	yes
Guarantee	1 year
Gencod	3563398782950
Custom code	7418200090
Technical sheet	No technical sheet available
Spare parts	Ref. 870271: natural soap made exclusively from coconut oils (Coprah). Salmon-coloured. Orchid fragrance. Net weight per piece: 300 g - Dimensions: 100x70 mm. Sold by cardboard box of 6 pieces, weight: 1,875 kg.

Fixing and maintenance advices

Careful consideration and selection of the appropriate wall fixings according to the wall-mounted support is required to ensure the long life of your accessory. The use of stainless steel screws (\varnothing 4 mm) is highly recommended to prevent corrosion in damp environment. Before drilling, physically hold the product against the wall at desired position and mark the hole locations. All the fixing points must be respected. After installation and before use, make sure that all fixing screws are tightened securely.



Fiche produit mise à jour le : 11/01/2023